



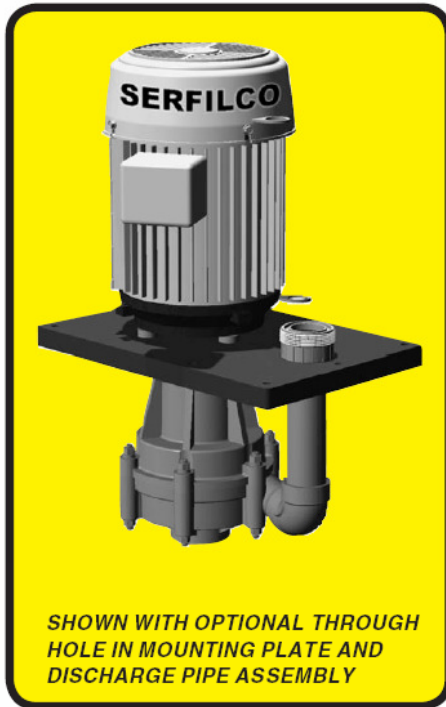
SERFILCO®

SERIES 'EH' VERTICAL PUMPS

BULLETIN
P-301AA
MARCH 2006

HIGH EFFICIENCY AND LOW ENERGY
USAGE FOR:

**PLATING / WET PROCESSING / ACIDS
CHEMICALS / FUME SCRUBBERS
and CLEANING SOLUTIONS**

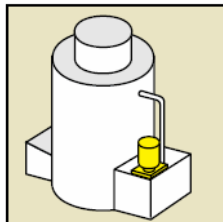


SHOWN WITH OPTIONAL THROUGH
HOLE IN MOUNTING PLATE AND
DISCHARGE PIPE ASSEMBLY

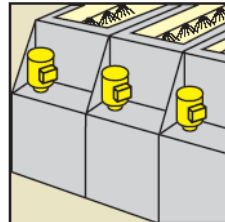
- Flows to 185 U.S. GPM or 145 FT. TDH @ 60 Hz (580 LPM or 31m @ 50 Hz)
- Non-metallic solution contact
 - PPP high temperature polypropylene construction
 - CPVC construction
 - PVDF construction (See a chemical resistance chart)
- Shaft vapor seal protects motor bearing and atmosphere
- Runs dry — seal-less, no bearings
- Chemical duty motor (1.0 - 7.5 HP)
Sealed oversized bearings, cast iron end bells with vapor seal, corrosion resistant epoxy enamel finish, stainless steel nameplate. Dual 50/60 Hz. Service factor 1.15 at 60 Hz., 1.0 at 50 Hz
- Centrifugal — quiet, vibration-free
- In- or out-of-tank installation
- Choice of 12" or 18" column
- NPT or BSP connections

The Series 'EH' Sump Pump features a cantilevered, sleeved, stainless steel shaft with vapor seal between the rotating shaft and the support column to further protect the motor. The cantilevered shaft eliminates bearings and conventional pump seals, resulting in a pump that can run dry without damage. A compound impeller prevents liquid from rising in the column, even at maximum TDH, while the fully-enclosed bottom impeller provides high hydraulic efficiency at low horsepower.

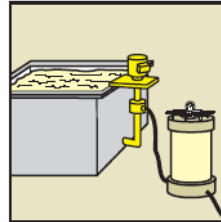
A unique characteristic of all Series 'EH' pumps is their ability to lift solution with an optional suction extension pipe installed. With the motor energized, the pump will self-prime when liquid is at impeller level. The solution level will then be pumped down to the end of the suction extension to a maximum depth of 9 ft. (2.7m). The pump will lose prime, then automatically re-prime when liquid again reaches the impeller.*



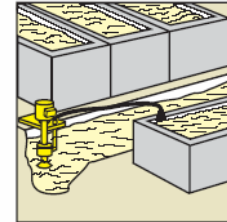
FUME SCRUBBING



PCB WET
PROCESSING



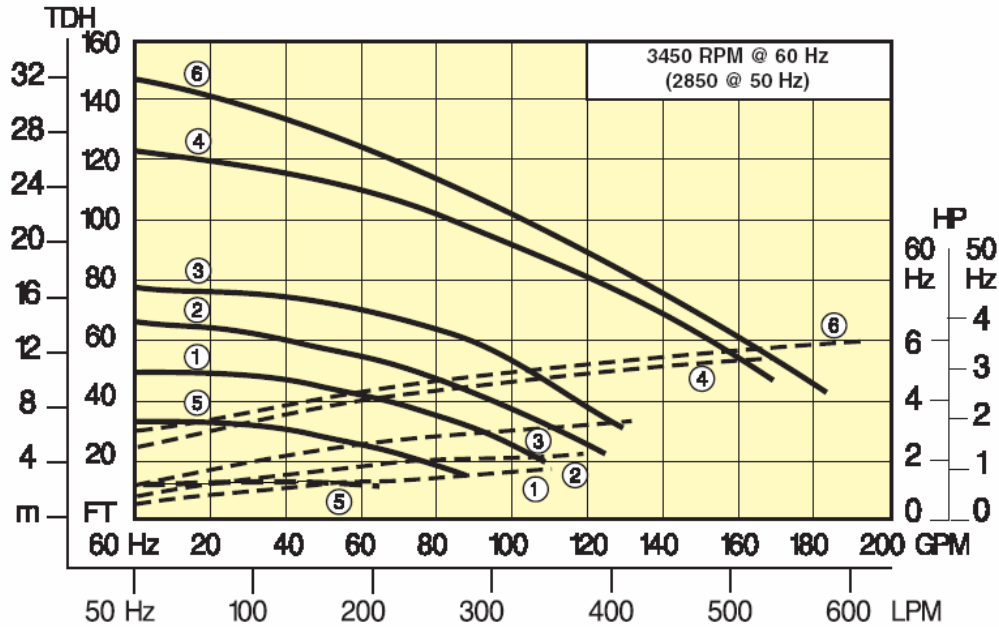
OUT-OF-TANK
PUMPING and FILTRATION



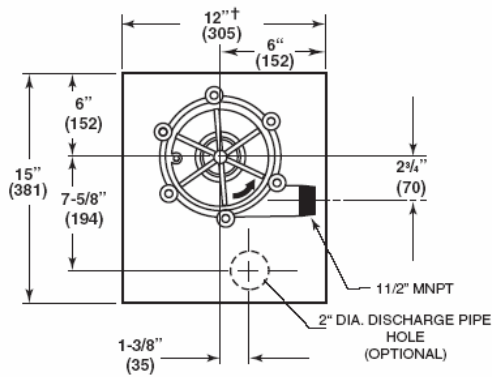
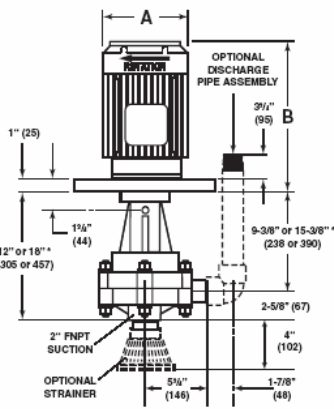
SUMP DRAINING
and WASTE TREATMENT

* Read: "Tips for the successful operation of sump pumps", Technical Bulletin TP-113.

SERIES 'EH' Specifications



DIMENSIONS - Inches (mm)



BOTTOM VIEW

† The standard 12" x 15" (305 x 381 mm) mounting plate for CPVC and polypropylene pumps is shown. PVDF pumps have an 11 3/4" x 11 3/4" (298 x 298 mm) mounting plate.

* 15-3/8" and 18" dimensions are for the LX models.